

Wave Loft RIB Cover Measurement Form

All measurements in mm

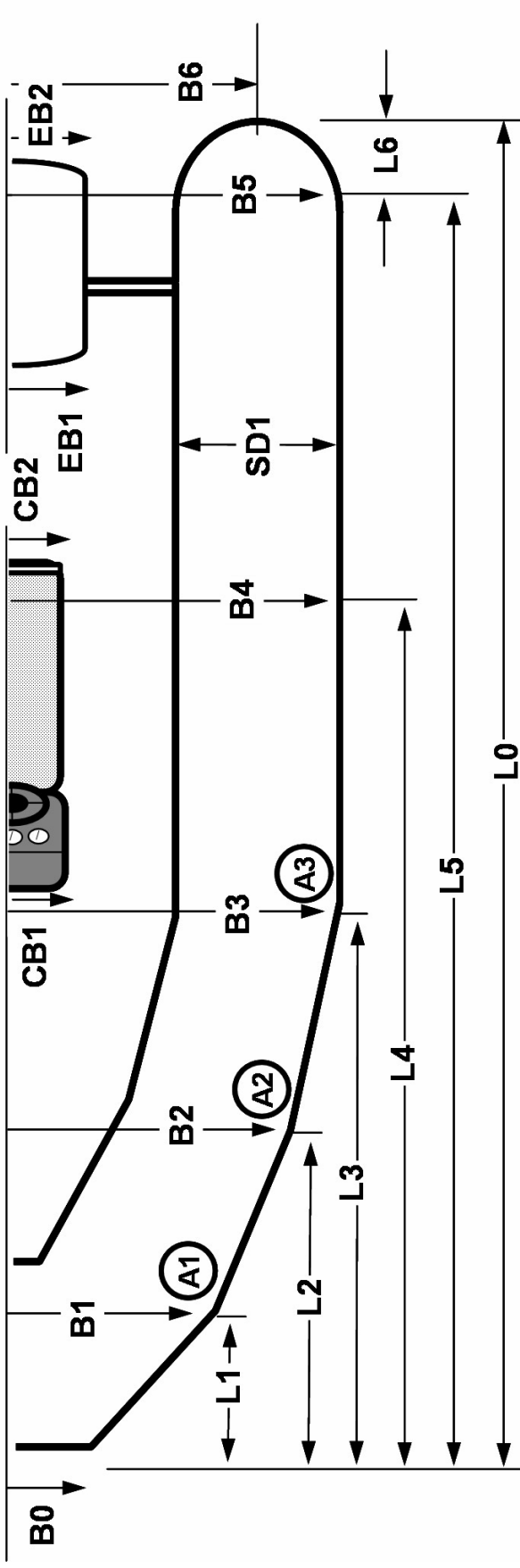
RIB Manufacturer

RIB Model

Approx Age of RIB

Point #	Description	Measurement (mm)
L0	Length overall (longest point to longest point)	
B0	Half beam at bow	
B1	Half beam at A1	
L1	Length from bow at A1	
B2	Half beam at A2	
L2	Length from bow at A2	
B3	Half beam at A3	
L3	Length from bow at A3	
B4	Half beam at mid length	
L4	Length from bow at mid length	
B5	Half beam at end of sponson before taper	
L5	Length from bow to sponson before taper	
B6	Half beam to sponson centre end point	
L6	Length from sponson taper to sponson end point	
D1	Sponson end shape (angled or curved)	Angled or Curved
SD1	Sponson diameter	
Steering Console dimensions		
CL1	Length from bow to front of console	
CL2	Length from bow to rear of console	
CL3	Length of console	
CH1	Height at front of console above top of sponson	
CH2	Height at rear of console above top of sponson	
CB1	Half beam at front of console	
CB1	Half beam at rear of console	
Outboard engine dimensions		
EL1	Length from bow to front of engine canopy at sponson height	
EL2	Length engine canopy at sponson height	
EL3	Length between rear of engine canopy and end of sponson	
EH1	Height at front of engine canopy above top of sponson	
EH2	Height at rear of engine canopy above top of sponson	
EB1	Half beam at front of engine canopy	
EB2	Half beam at rear of engine canopy	

Wave Loft RIB Measurement Stations Schematic



Measure to outside edge longest/widest points

